

4

3

2

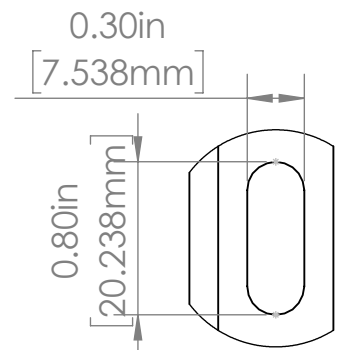
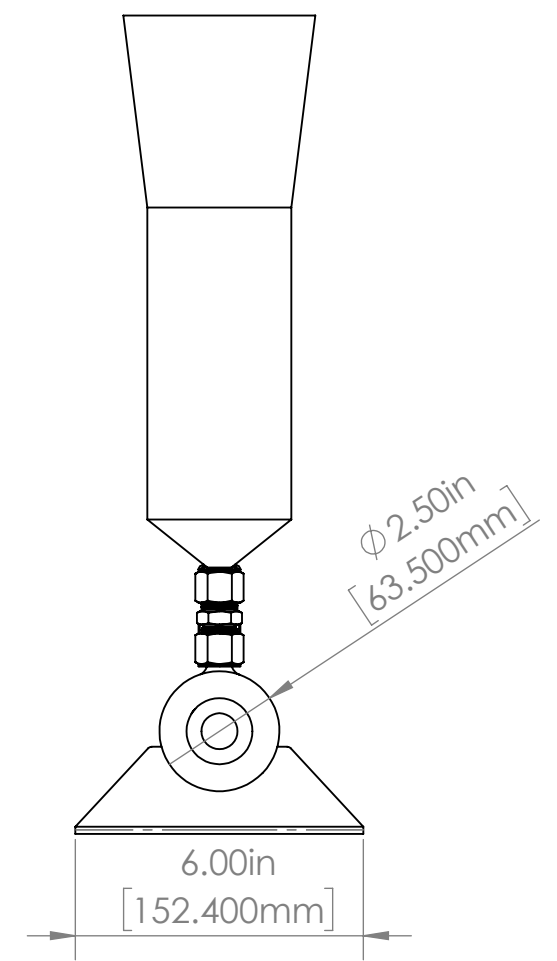
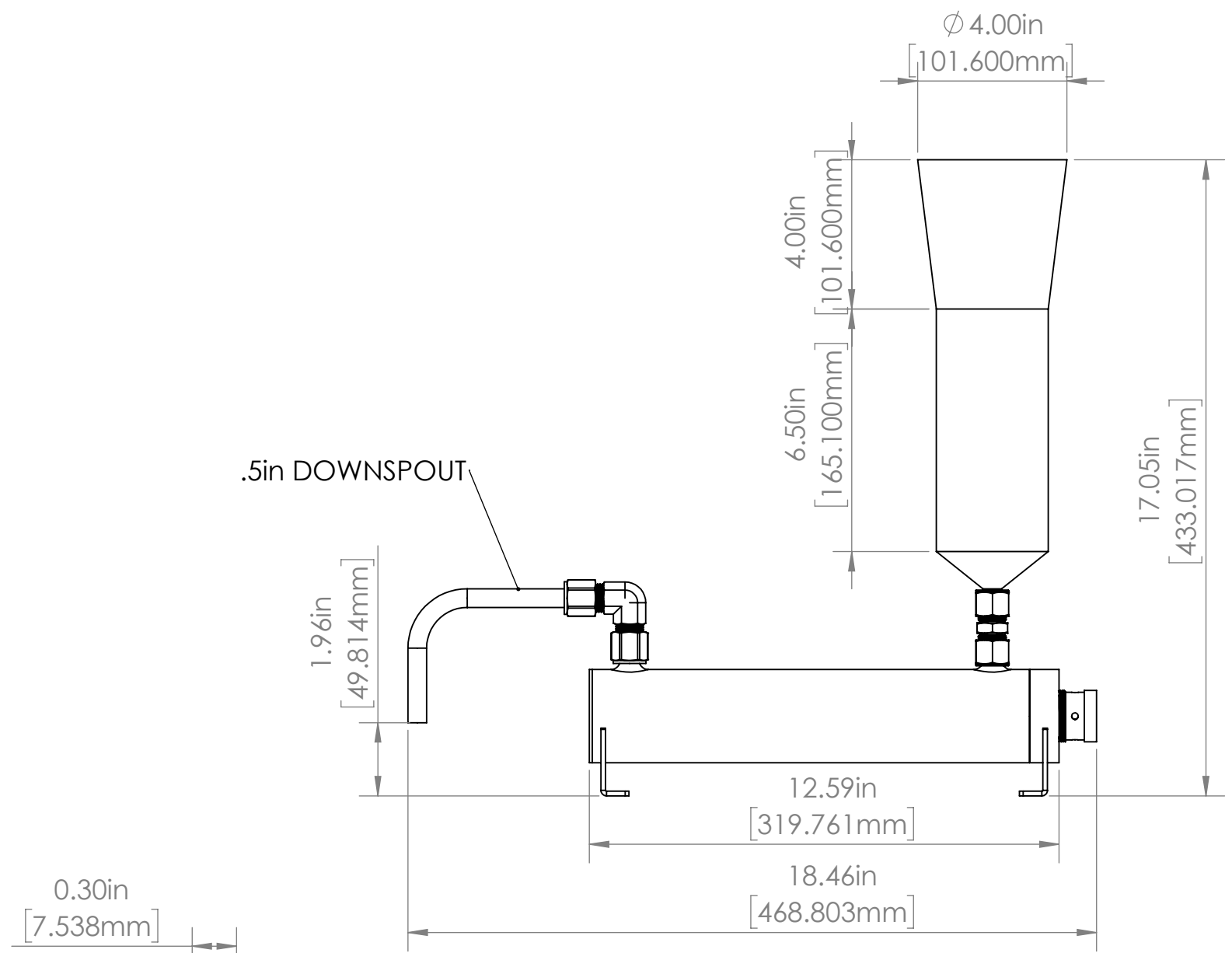
1

B

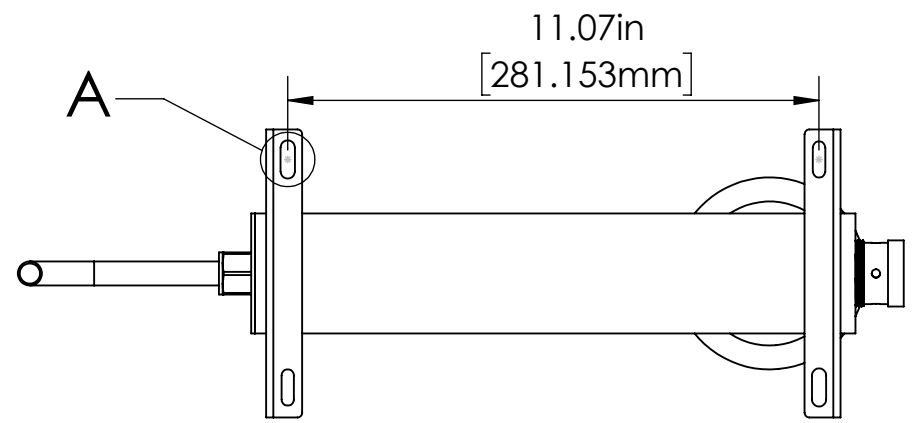
B


A

A



DETAIL A
 SCALE 1 : 1



| | | | | | | | | | | |
|--|-------------|----------------|--------------|---|------|----------|-----|----------|-------------|---|
| COMMENTS: | DRAWN | NAME | DATE |  UV SUPERSTORE, INC. 820 TUCKER CT. WINDER, GA 30680 P: 770-307-3882 F: 770-307-3872 www.uvsuperstore.com | | | | | | |
| | CHECKED | | | | | | | | | |
| | MATERIAL | 316SS | | DESCRIPTION LAB UNIT MECHANICAL DRAWING | | | | | | |
| PROPRIETARY AND CONFIDENTIAL <small>THE INFORMATION CONTAINED IN THIS DRAWING IS THE SOLE PROPERTY OF <INSERT COMPANY NAME HERE>. ANY REPRODUCTION IN PART OR AS A WHOLE WITHOUT THE WRITTEN PERMISSION OF <INSERT COMPANY NAME HERE> IS PROHIBITED.</small> | FINISH | ELECTROLOISHED | | <table border="1"> <tr> <td>SIZE</td> <td>DWG. NO.</td> <td>REV</td> </tr> <tr> <td>B</td> <td>UV-LAB-DEO3</td> <td>D</td> </tr> </table> | SIZE | DWG. NO. | REV | B | UV-LAB-DEO3 | D |
| | SIZE | DWG. NO. | REV | | | | | | | |
| B | UV-LAB-DEO3 | D | | | | | | | | |
| | | SCALE: 1:4 | SHEET 1 OF 1 | | | | | | | |

4

3

2

1